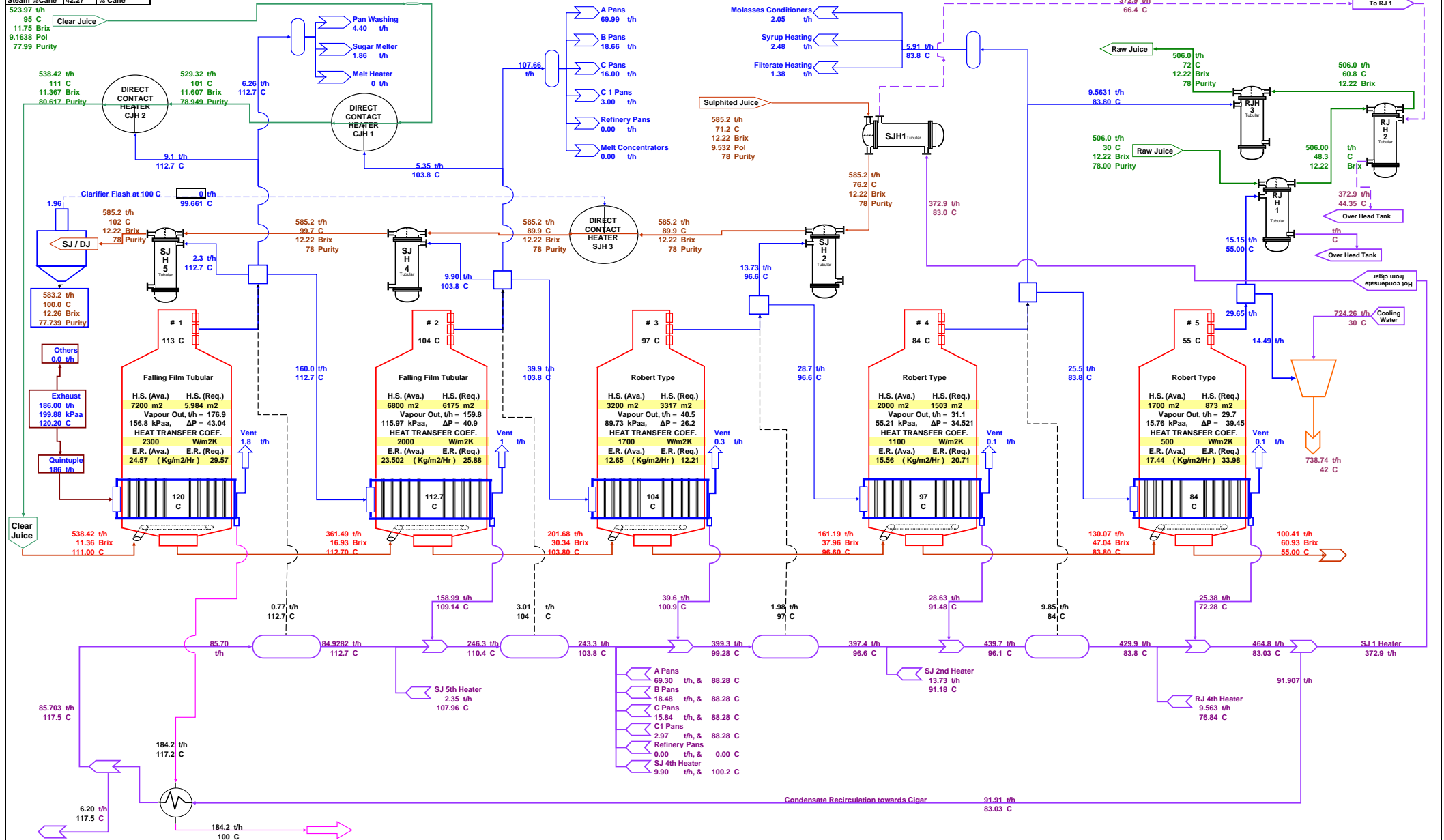




Sugar Mill Calculations

Resource for Sugar Mill Calculations

Cann Rate	440	TCH
Steam %Cane	42.27	% Cane



583.2 t/h	100.0 C	12.26 Brix	77.739 Purity
585.2 t/h	102 C	12.22 Brix	78 Purity
585.2 t/h	99.7 C	12.22 Brix	78 Purity
585.2 t/h	89.9 C	12.22 Brix	78 Purity
585.2 t/h	89.9 C	12.22 Brix	78 Purity
585.2 t/h	76.2 C	12.22 Brix	78 Purity
585.2 t/h	71.2 C	12.22 Brix	9.532 Pol
585.2 t/h	71.2 C	12.22 Brix	78 Purity
506.0 t/h	72 C	12.22 Brix	78 Purity
506.0 t/h	48.3 C	12.22 Brix	
506.0 t/h	30 C	12.22 Brix	78.00 Purity
538.42 t/h	111 C	11.36 Brix	111.00 C
538.42 t/h	111 C	11.36 Brix	111.00 C
361.49 t/h	116.93 Brix	112.70 C	
201.68 t/h	30.34 Brix	103.80 C	
161.19 t/h	37.96 Brix	96.60 C	
130.07 t/h	47.04 Brix	83.80 C	
100.41 t/h	60.93 Brix	55.00 C	
85.70 t/h	112.7 C		
84.9282 t/h	112.7 C		
246.3 t/h	110.4 C		
243.3 t/h	103.8 C		
399.3 t/h	99.28 C		
397.4 t/h	96.6 C		
439.7 t/h	96.1 C		
429.9 t/h	83.8 C		
464.8 t/h	83.03 C		
372.9 t/h	83.0 C		
184.2 t/h	117.2 C		
184.2 t/h	100 C		
91.91 t/h	83.03 C		